

➤ Bevel Valve

RJQ22

There is automatic adjustable seal gland bush between overflow outlet and slide block.

The bevel structure have big flow rate, no water hammer, no noise and credible seal performance.



Ordering Code

R	JQ	22	<input type="checkbox"/>	<input type="checkbox"/>	<input type="checkbox"/>	<input type="checkbox"/>	<input type="checkbox"/>
RFS product	Angle seat valve code	Two way two position	Actuator material S stainless steel Blank aluminium P Plastic	actuator size Φ40 Φ50 Φ63 Φ80 Φ100	Connection size 10 15 20 25 32 40 50 65 80 100	H welded type, W Waterhammer F flange	S single acting type D double acting type K normally open

Remark: Normally open: flow comes under piston seal, against arrow on body.

Design character

- Can see the position indication.
- Easy to install.
- Actuator adopt low abrasion piston structure, big capacity and low wastage.
- There is lubricative for inner parts, no need maintenance.
- 6.The actuator material have stainless steel,Aluminium and Plastic..
- Long life for the piston pole, PTFE seal, avoid the reif come in.
- No water hammer effect, when the liquid flowed from valve underside, the water hammer will be absorbed.

Angle seat valve



Specification

Orifice: DN15-DN65

Thread: G1/8" -G2 1/2"

Valve material: stainless steel 316

Actuator material: Aluminium, stainless steel,plastic

Valve core seal: PTFE

Valve stem seal: PTFE / FKM

Applicable medium: Water,liquid,neutral gas,oil
water steam,weak acid or weak
alkalis Solution.

Medium temperature: -10°C ~180°C

Environment temperature: -10°C ~60°C

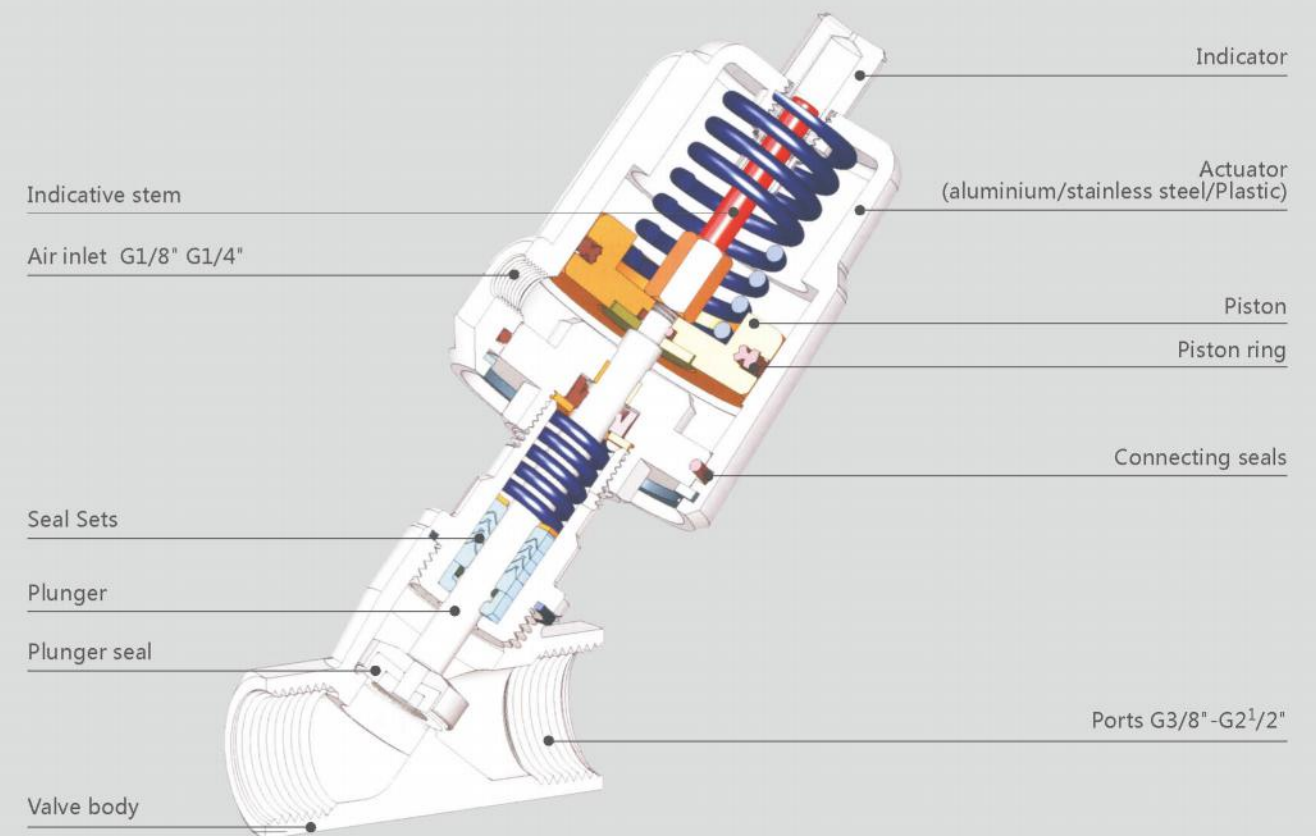
Viscosity: max. 600 mm² / S

Installation: any position

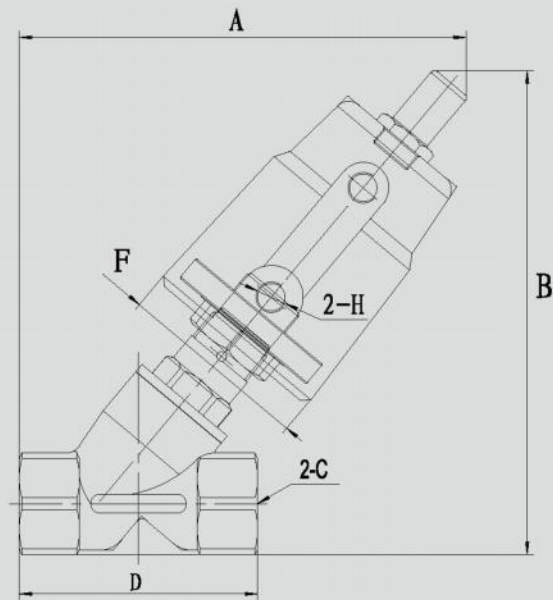
Controlling medium: air or neutral gas

Controlling pressure range: 0.3~1Mpa

Liquid working pressure: 0~1.6Mpa



Angle seat valve



Model	Actuator size	A	B	C	D	E	F	H
RJQ22S40-10	40	127.5	136	G3/8"	69	27	50	G1/8"
RJQ22S40-15	40	127.5	136	G1/2"	69	27	50	G1/8"
RJQ22S50-10	50	140	150	G3/8"	69	27	60.5	G1/8"
RJQ22S50-15	50	140	150	G1/2"	69	27	60.5	G1/8"
RJQ22S50-20	50	143	155	G3/4"	75.5	32	60.5	G1/8"
RJQ22S50-25	50	163.5	176	G1	90	39	60.5	G1/8"
RJQ22S63-25	63	174.5	189.5	G1	90	39	77	G1/8"
RJQ22S63-32	63	190.5	207.5	G1-1/4"	117	50	77	G1/8"
RJQ22S63-40	63	190.5	207.5	G1-1/2"	117	55	77	G1/8"
RJQ22S63-50	63	219.5	232.5	G2"	145	70	77	G1/8"
RJQ22S80-50	80	233	253	G2"	145	70	98	G1/4"
RJQ22S80-65	80	273	290	G2-1/2"	170	85	116	G1/4"
RJQ22S100-65	100	270	290.5	G2-1/2"	170	85	116	G1/4"